

RFX-UHF Down Converters

Microwave Service Company's UHF down converter was designed to convert a range of high frequency digital COFDM and analog transmissions to the UHF frequency range. It is a single conversion BDC with low phase noise and high linearity. Its front end features a LNA and ceramic filter that delivers a 3.5db noise figure with an overall typical conversion gain of 24db. DC power can be supplied locally or remotely through coax to the IF output.

*All products RoHs Compliant

Specifications

FREQUENCY BAND

| Part No. | INPUT FREQ. | OUTPUT FREQ. | L.O. FREQ. |
|---------------------|---------------|--------------|------------|
| RFX-Down-4.5/UHF | 4.5 - 5.0 GHz | 450-850 MHz | 4.2 GHz |
| RFX-Down-5.8/UHF | 5.7 - 6.0 GHz | 450-850 MHz | 5.2 GHz |
| RFX-Down-6.4/UHF | 6.4 - 6.7 GHz | 450-850 MHz | 5.85 GHz |
| RFX-Down-6.8/UHF | 6.8 - 7.1 GHz | 450-850 MHz | 6.4 GHz |
| RFX-Down-6.4/UHF/WB | 6.4 - 7.1 GHz | 250-850 MHz | 6.25 GHz |

*Additional frequencies are available.

RF Input

Noise Figure: 3.5 db
 Input Impedance: 50 Ω
 Input Level: -20 to -90 dbm
 LO Leakage: -65 db

Connections

RF Input: SMA Female
 IF Output: SMA Female
 DC Power: Feed through or Coax to IF Output

Conversions

Gain Std.: \approx 24 db
 Frequency Stability: \pm 2.5 PPM
 Output Impedance: 75 Ω
 *Optional 15-35 db

Power Requirements

11-25 VDC
 160 mA current std. Maximum 250 mA

Physical

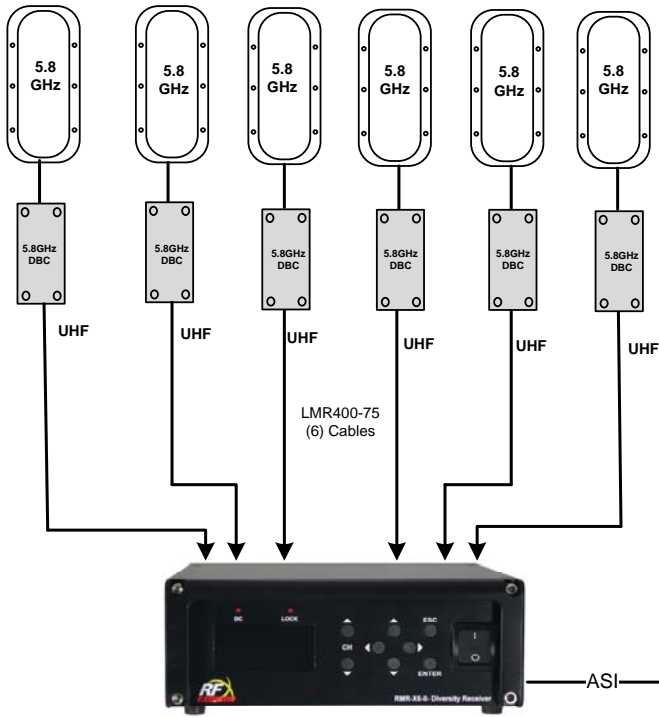
Temperature: -20 to +50 degrees C
 Altitude: 14,500 ft.
 Humidity: 95% long term
 Weight: .375 lbs
 Size: 3.31 x 2.82 x .832 inches



Down Converter

Model: BDC 5760-5200
 Frequency: 5.7-6.0GHz
 IF Frequency: 450-850MHZ
 LO: 5.200GHz
 Serial Number: 70346
 Tech Support 1-866-732-0113

**RFX-Beam Antennas
w/Block Down Converters**



**5.8 GHz Wireless Camera
System
w/6-Way Diversity Receiver**

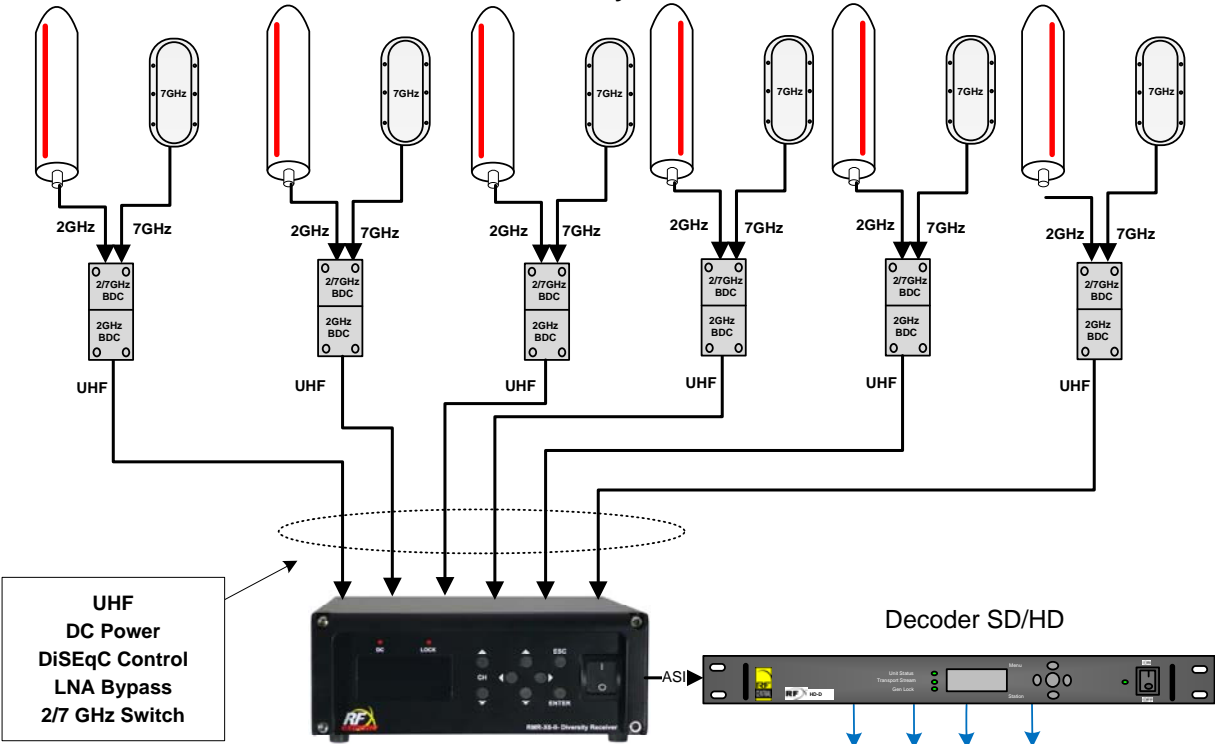


**RX6-II Diversity RX
UHF Inputs**

Decoder SD/HD

SDI Video Audios

**2/7 GHz Wireless Camera System w/6-Way
Diversity Receiver**



UHF
DC Power
DiSEqC Control
LNA Bypass
2/7 GHz Switch

**RX6-II Diversity RX
UHF Inputs**

Decoder SD/HD

SDI Audio Video ASI